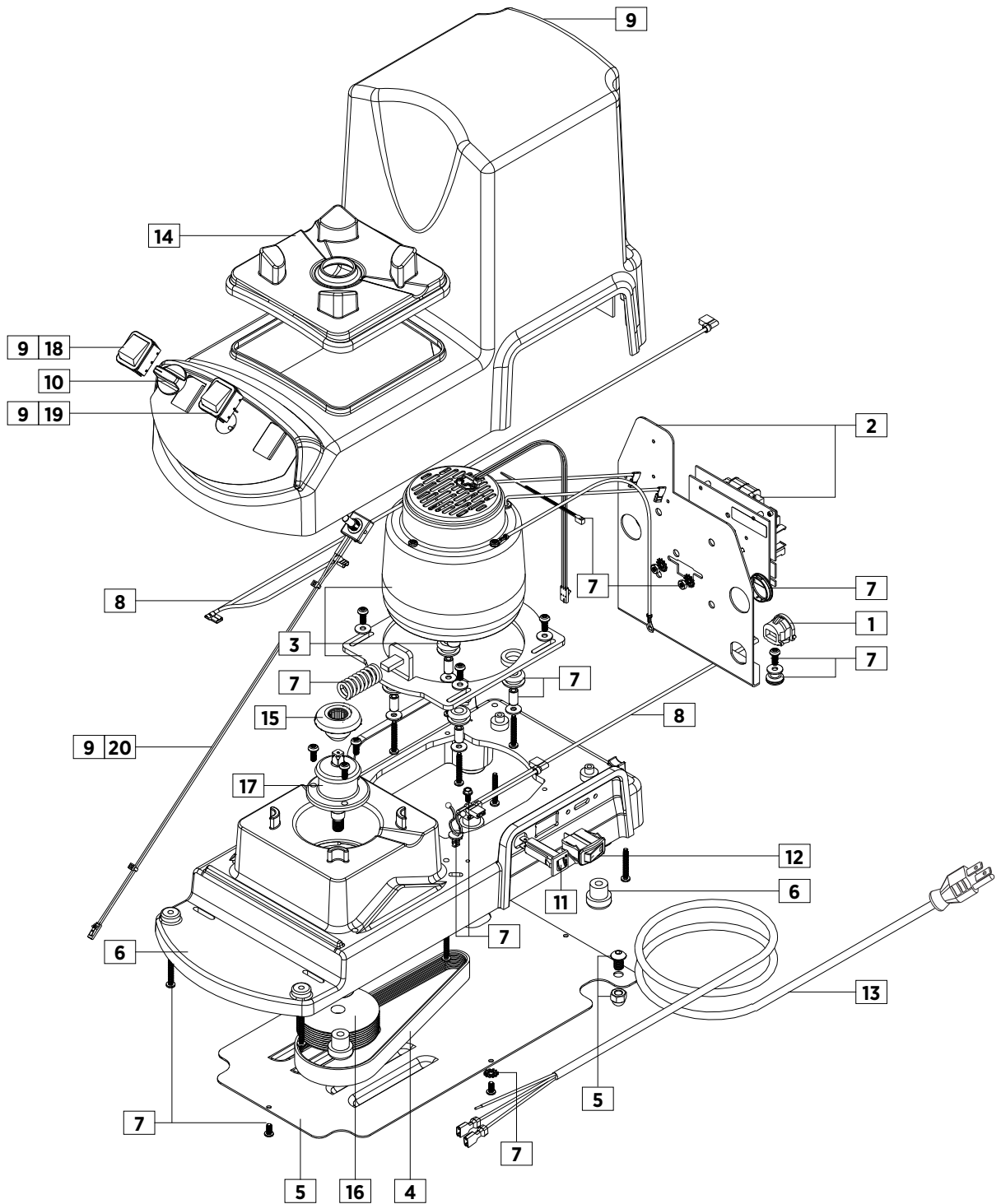


120V



120V

No.	Kit/Part Number	Description with Kit Name	Qty/Pack	List Price	Distributor Price
1	15043	STRAIN RELIEF/UNIVERSAL/BLK	1	\$4.24	\$1.81
2	15044	KIT/UNIVERSAL CONTROL BOARD/XL	1	\$254.26	\$108.70
3	15063	KIT/120V/MOTOR/XL	1	\$701.96	\$300.09
4	15048	KIT/BELT/8RIB/20/BELT DRIVE/XL	1	\$27.00	\$11.54
5	15049	KIT/BOTTOM COVER/XL	—	\$78.24	\$33.45
		BOTTOM COVER / BELT DRIVE	1		
		SLIDER FEET 5/16-18 ACORN NUT	1		
6	15050	KIT/BOTTOM COVER/XL	—	\$919.88	\$393.25
		BOTTOM COVER / BELT DRIVE	1		
		SLIDER FEET 5/16-18 ACORN NUT	4		
7	15051	KIT/HARDWARE/XL	—	\$102.60	\$43.86
		WIRE TIE	2		
		BUSHING	2		
		GROMMET	2		
		GROMMET / MOTOR / .813 OD.313 ID.438 THK	4		
		WIRE RETAINER CLIP	1		
		#6-32 HEX NUT	4		
		#6 INT / EXT TOOTH LOCKWASHER	4		
		SCREW / #10-32 X 0.5 TORX HEAD	20		
		SPACER / MOTOR	8		
		SCREW 5/16-18 X 1/2 LG	4		
		#8 INT / EXT TOOTH LOCKWASHER	2		
		SPRING / MOTOR / PLATE	2		
		# 8-18 X 1 1/4 DM UPPER SHELL SCREW	10		
		GROUND SCREW / GREEN #8	2		
		#8-32 X 3/8 TEFLON COATED SCREW	8		
		FEET	4		
		WASHER / BLS	10		
		# 8-18 X 3/4 PAN HEAD / PHILLIPS / SS	6		
		# 6-20 X 5/16 PHILLIPS PAN HEAD	4		
8	15057	XL NON-INTERLOCK CABLE KIT:	—	\$16.26	\$6.95
		WIRE HARNESS / ON / OFF / PULSE / CB BELT DRIVE	1		
		WIRE / CB JUMPER / BLK / 4"	1		
		WIRE / CB JUMPER / BLK / 15"	1		
9	15060	XL NON-INTERLOCK HOUSING KIT:	1	\$181.62	\$77.64
		ON / OFF SWITCH / BELT DRIVE	1		
		PULSE SWITCH / BELT DRIVE	1		
		POTENTIOMETER / VS / BELT DRIVE	1		
		BELT DRIVE LABEL / VARIABLE	1		
		XL HOUSING / VS / BLK	1		

Kit Information continued on next page >

All prices are in US dollars

120V

...Kit Information continued from previous page.

No.	Kit/Part Number	Description with Kit Name	Qty/ Pack	List Price	Distributor Price
10	15732	SPEED CONTROL KNOB/SMALL	1	\$6.36	\$2.72
11	15046	8 AMP CIRCUIT BREAKER / 16 AMP	1	\$11.16	\$4.77
12	15786	ROCKER SWITCH (ON/OFF)	1	\$6.92	\$2.95
13	15787	120V / 15A POWER CORD	1	\$24.20	\$10.35
14	15895	XL CENTERING PAD KIT	1	\$19.44	\$8.31
15	15902	XL DRIVE SOCKET KIT	1	\$19.56	\$8.36
16	15429	PULLEY	1	\$106.36	\$45.47
17	15428	BEARING ASSEMBLY	—	\$265.38	\$113.45
		BEARING ASSEMBLY	1		
		#10-32 X 0.5 TORX HEAD	3		
18	16106	XL VS ON/OFF SWITCH	1	\$9.16	\$3.91
19	16107	XL PULSE SWITCH	1	\$9.16	\$3.91
20	16110	XL VS POTENTIOMETER	1	\$23.74	\$10.15
21	15465	XL VS FACEPLATE LBL/10PK	10	\$190.36	\$81.38

All prices are in US dollars